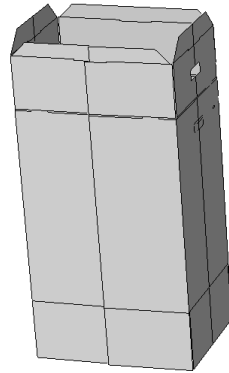
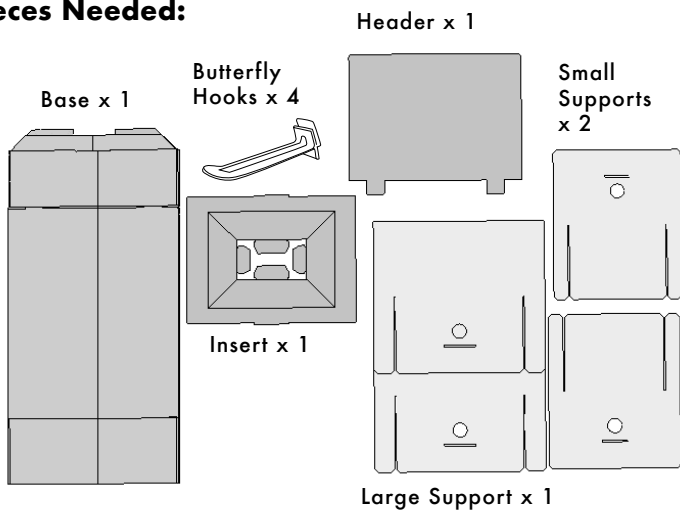
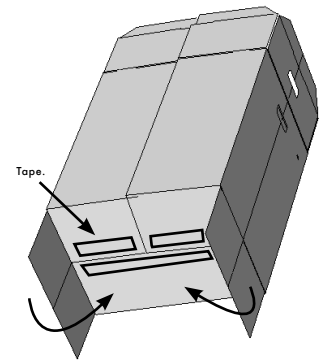


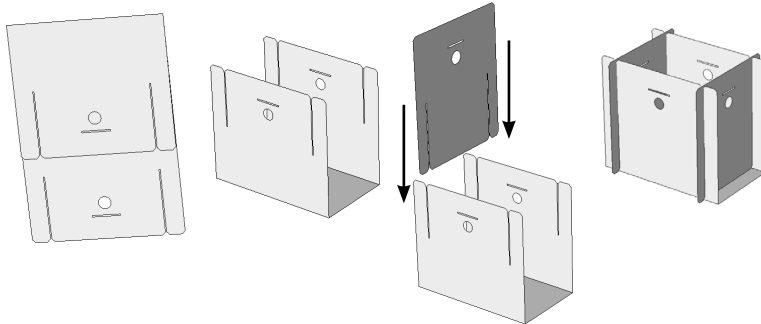
Pieces Needed:



1. Locate base piece. Square up like shown.

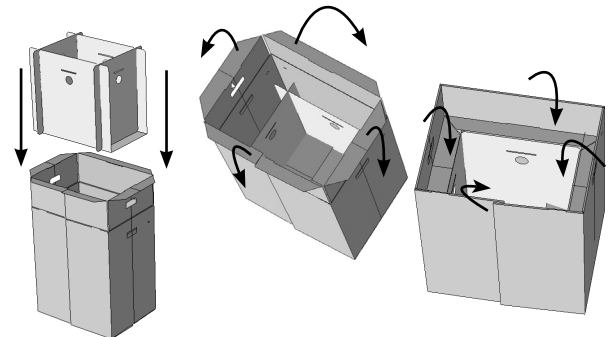


2. Fold up bottom flaps. Remove backing from tape and press to adhere.



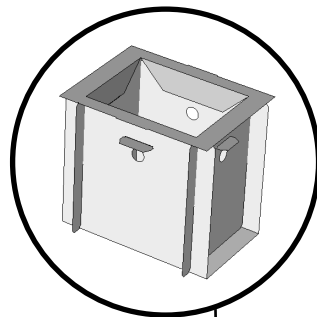
3. Locate large support piece. Fold up like shown.

4. Locate small supports and insert into large support like shown.

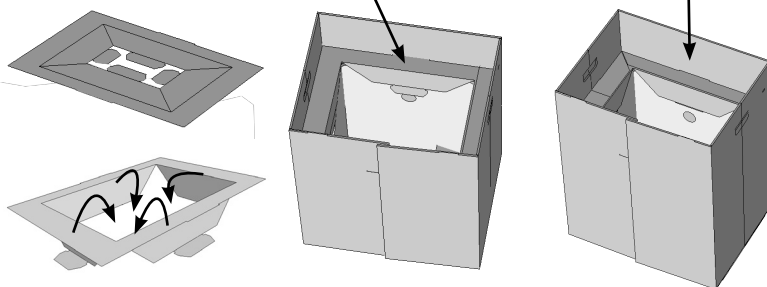


5. Insert support into base.

6. Backfold outer crease on flaps. Fold flaps down on inner crease. Backfolded flaps will lay on supports.



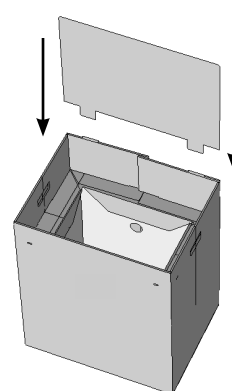
Fit tabs on insert into slots on base.



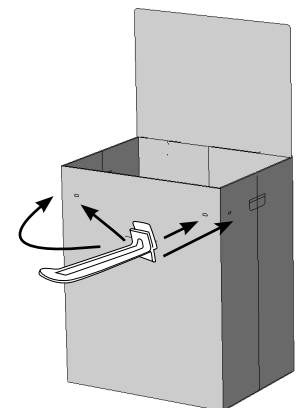
7. Find insert piece. Fold insert like shown.

8. Place insert on top of folded base flaps. Tabs on insert will fit inside slots on base.

9. Lock insert into place by inserting tabs into slots on supports.



10. Find header and insert into slots on back of base.



11. Insert butterfly hooks into four slots on base. Finished.



Scan code for video instructions or visit flexfab.com/pop-instructions